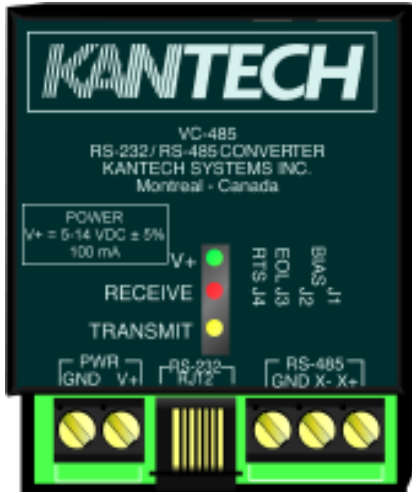
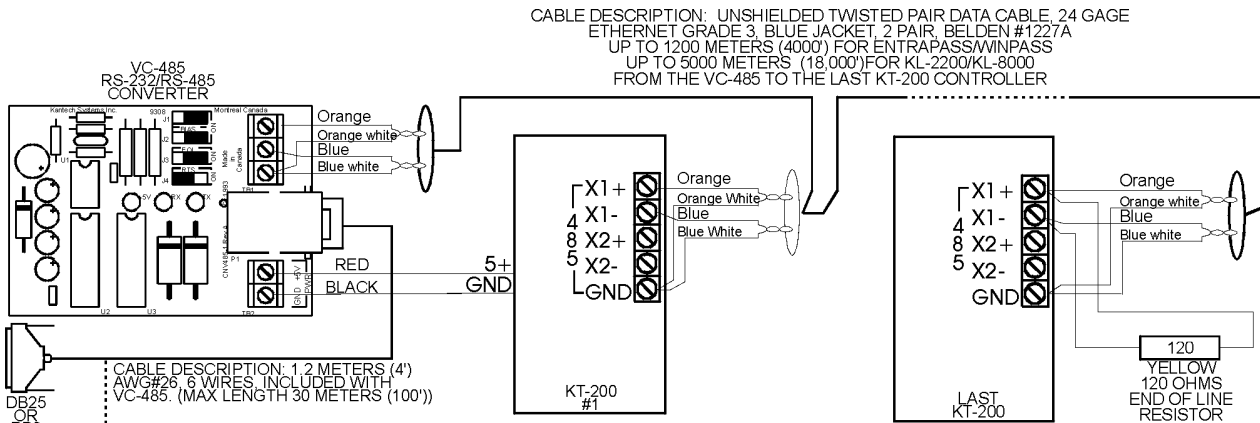


VC-485

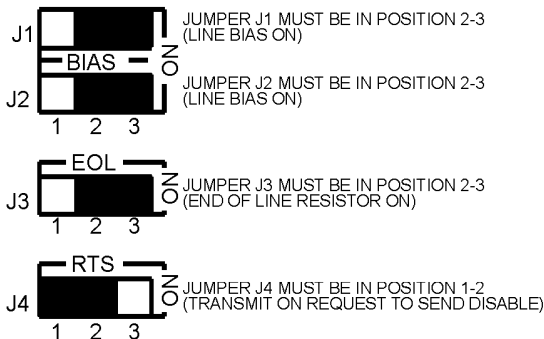


The **VC-485** is an RS-232 / RS-485 protocol converter primarily used to connect a PC to a KT-200/KT-300 controller. The maximum bus length is 5 km (18,000 feet, when line repeater is used) and 1,2 km (4,000 feet) for EntraPass & WinPass when using Ethernet Grade 3, unshielded, two twisted pair cable (Belden # 1227A recommended). Two VC-485's may be connected back-to-back to be used as a line repeater in order to extend the RS-485 communication bus.

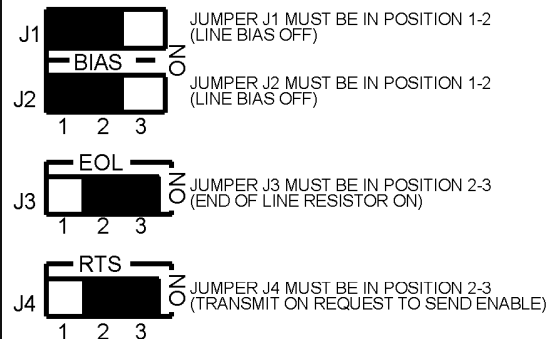
Wiring Diagram with KT-200 Controllers



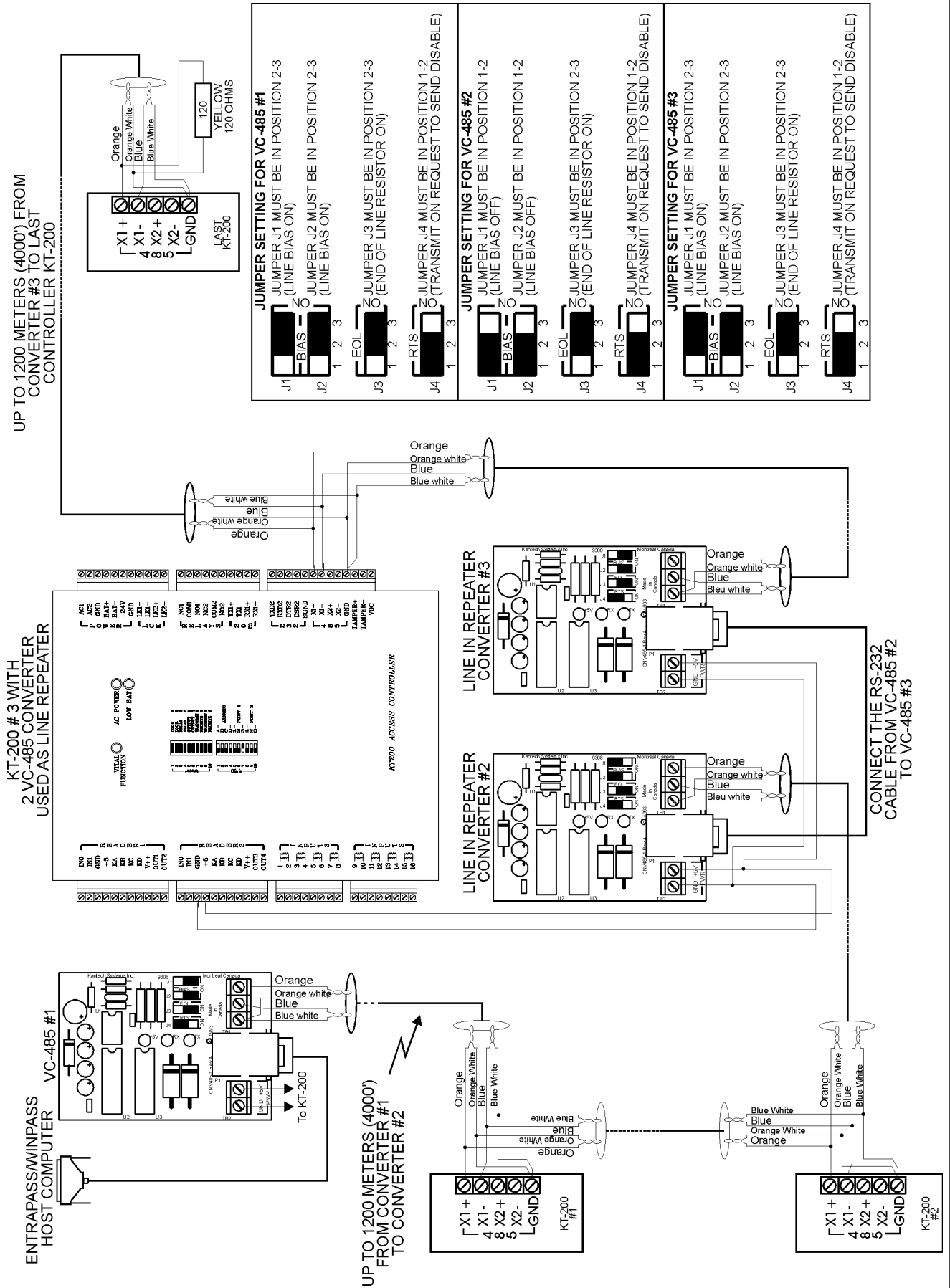
VC-485 JUMPERS SETTINGS FOR ENTRAPASS/WINPASS



VC-485 JUMPERS SETTINGS FOR KL-2200/KL-8000



Wiring Diagram as Line Repeater with EntraPass/WinPass using KT-200



VC-485

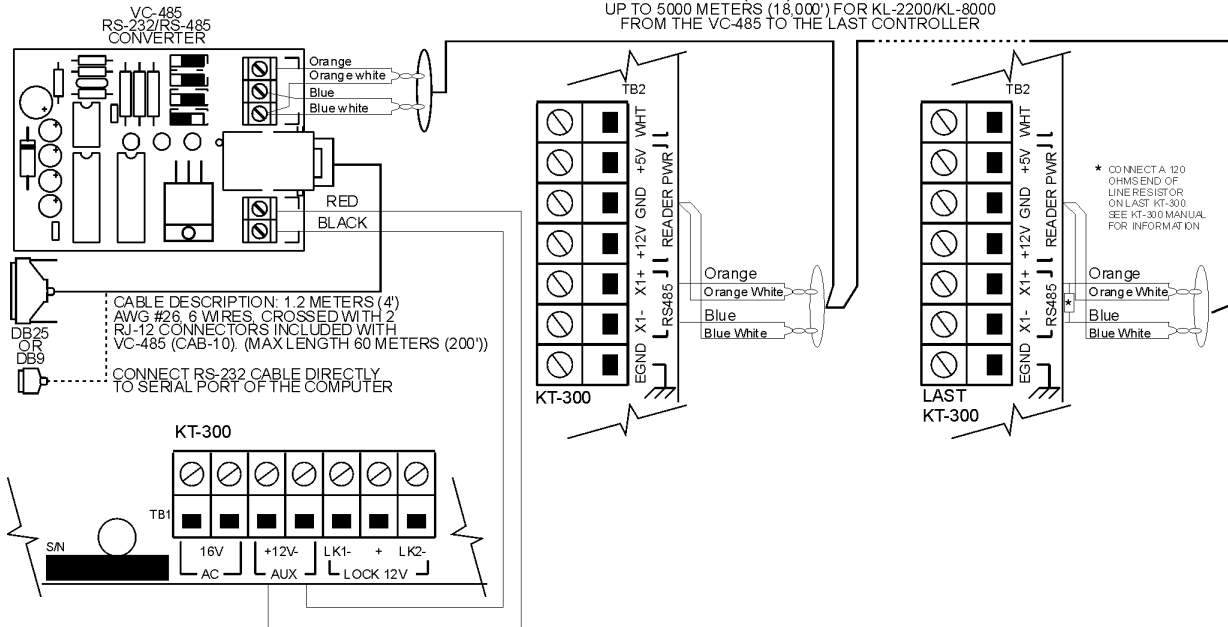


The **VC-485** is an RS-232 / RS-485 protocol converter primarily used to connect a PC to a KT-200/KT-300 controller. The maximum bus length is 5 km (18,000 feet, when line repeater is used) and 1,2 km (4,000 feet) for EntraPass & WinPass when using Ethernet Grade 3, unshielded, two twisted pair cable (Belden # 1227A recommended). Two VC-485's may be connected back-to-back to be used as a line repeater in order to extend the RS-485 communication bus.

Wiring Diagram with KT-300 Controllers

V+ = 5 - 14 VDC

CABLE DESCRIPTION: UNSHIELDED TWISTED PAIR DATA CABLE, 24 GAUGE ETHERNET GRADE 3, 2 PAIR, BELDEN #1227A (KANTECH #CBL-ETHG3) UP TO 1200 METERS (4000') FOR ENTRAPASS & WINPASS UP TO 5000 METERS (18,000') FOR KL-2200/KL-8000 FROM THE VC-485 TO THE LAST CONTROLLER



VC-485 JUMPERS SETTINGS FOR ENTRAPASS/WINPASS



