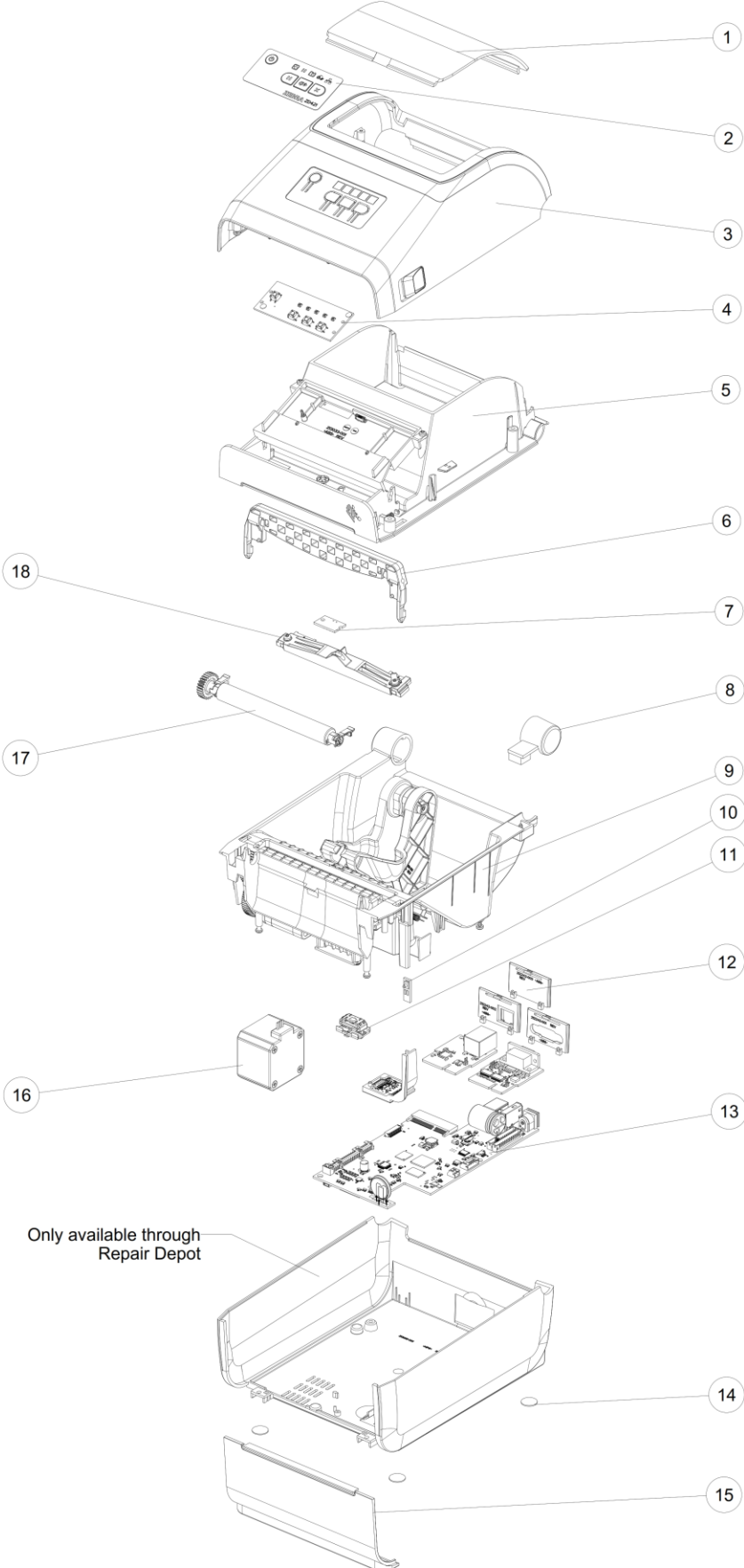


ZD421 Direct Thermal (203 & 300 DPI)



ZD421 Direct Thermal (203 & 300 DPI)

Item Number	Description	Part Number
1	Media Window	P1080383-400
2	Nameplate for Gray Standard Models.	P1112640-001
	Nameplate for White Healthcare Models.	P1112640-024
3	Cover Assembly for Gray Standard Models (includes Media Window)	P1112640-002
	Cover Assembly for White Healthcare Models (includes Media Window)	P1112640-003
4	Control Panel PCBA for Standard Models	P1112640-004
	Control Panel PCBA for Healthcare Models	P1112640-039
5	Inner Lid for Gray Standard Models (without printhead)	P1112640-005
	Inner Lid for White Healthcare Models (without printhead)	P1112640-006
6	Latch Assembly for Gray Standard Models	P1112640-007
	Latch Assembly for White Healthcare Models	P1112640-008
7	Upper Media Sensor (Gap Sensor)	P1112640-009
8	Cover Hinge	P1112640-043
9	Print Mechanism 203dpi	P1112640-010
	Print Mechanism 300dpi	P1112640-011
10	Cover Open Sensor	P1112640-058
11	Lower Media Sensor (Blackline Sensor)	P1112640-012
12	Rear Bezels for Gray Standard Models: Includes Bezels for Serial, Ethernet, WiFi, No Options (1 each)	P1112640-025
	Rear Bezels for White Healthcare Models: Includes Bezels for Serial, Ethernet, WiFi, No Options (1 each)	P1112640-013
13	Main Logic Board USB, USB Host, Bluetooth, Modular Connectivity Slot, for all countries except EMEA	P1112640-014
	Main Logic Board USB, USB Host, Bluetooth, Modular Connectivity Slot, the board included in this kit allows firmware downgrades to occur	P1112640-070
	Main Logic Board USB, USB Host, Bluetooth, Modular Connectivity Slot (EMEA ONLY)	P1112640-071
13A	Ethernet Module	P1112640-015
	Serial Module	P1112640-016
	WiFi 802.11ac Wireless Module for USA and Canada	P1112640-017A
	WiFi 802.11ac Wireless Module for Japan	P1112640-017B
	WiFi 802.11ac Wireless Module for all countries except USA, Canada and Japan	P1112640-017C
14	Rubber Feet (set of 4)	P1080383-021
15	Front Bezel, Standard	P1112640-018
16	Motor Assy 203dpi and 300dpi	P1080383-221
17	Platen Roller 203dpi	P1112640-061
	Platen Roller 300dpi	P1112640-062
	Bearings for the platen roller, Left & Right (10 each)	P1080383-224
18	203 dpi Printhead for Gray Standard Models	P1112640-019
	300 dpi Printhead for Gray Standard Models	P1112640-020
	203 dpi Printhead for White Healthcare Models	P1112640-026
	300 dpi Printhead for White Healthcare Models	P1112640-027

ZD421 Direct Thermal (203 & 300 DPI)

Item Number	Description	Part Number
Not Shown	Cutter, 4", Full Cut	P1112640-030
	Upgrade, Partial Cutter	P1112640-345
	Dispenser, Front Bezel	P1112640-031
	Media Core Adaptors, For 1.5", 2" & 3" diameter cores	P1112640-054
	Base Housing for Battery (When upgrading to battery power functionality, also order the P1080383-603 battery)	P1080383-601
	Battery for Desktop Printers (When upgrading to battery power functionality, also order the P1080383-601 battery housing)	P1080383-603
	Adapter bracket to enable mounting a ZD421D model in the same location as an existing GK420d model is currently mounted. Bracket allows usage of the GK420d mounting hole pattern to mount a ZD421D.	P1080383-423
	Buttons for the Latch, 10 Left buttons and 10 Right buttons	P1080383-444
	Packaging for shipping the printer	P1080383-424
	Replacement key for Healthcare printers with a locking media cabinet (quantity of 5)	P1080383-406
	Replacement lock for Healthcare printers with a locking media cabinet (includes 2 keys)	P1112640-023
	Power Supply Unattached, 60W, with US & Euro Cords for Gray Colored Standard Models	105934-053
	Power Supply Unattached, 75W, with US Cord, for White Colored Healthcare Models	P1079903-030
	Power Supply Attached, 60W (power cord not included)	P1112640-057
	Power Cord, U.S. 120V IEC320C13 (set of 5)	105950-014
	Power Cord, Euro 220V IEC320C13 (set of 5)	105950-015
	Power Cord, U.K. 240V IEC320C13 (set of 5)	105950-030
	Power Cord, Australia 240V IEC320C13 (set of 5)	105950-029
	Power Cord, China 220V C13 (set of 5)	105950-078
	Power Cord, Japan 125V JAPAN C13 (set of 5)	105950-079
	Power Cord, 220V Argentina C13 (set of 5)	105950-080
	Power Cord, NBR 14136, Brazil (set of 5)	P1033401
	Power Cord, Taiwan, 125V, IEC320C13 (set of 5)	P1079903-035