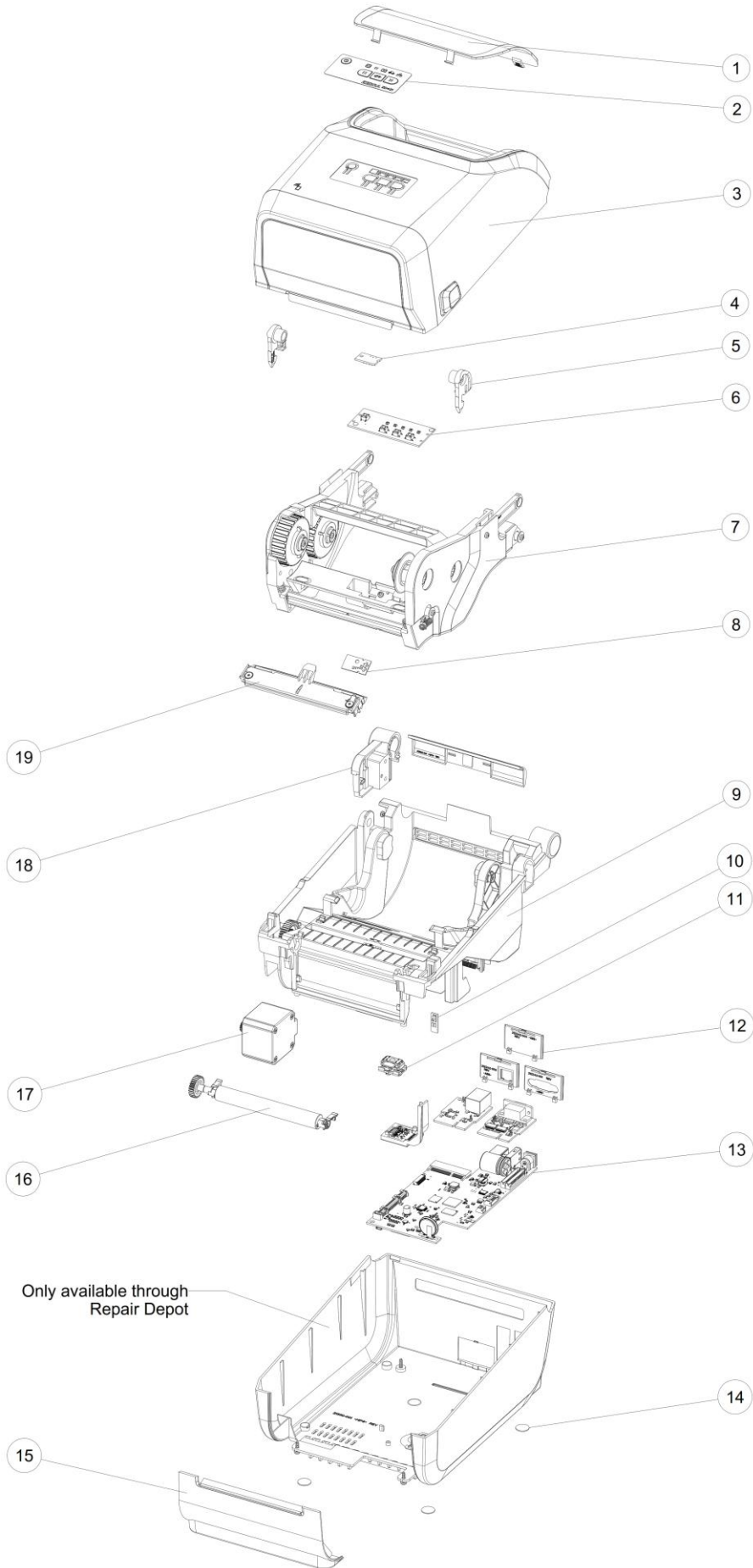


**ZD421 Thermal Transfer (203 & 300 DPI)**



**ZD421 Thermal Transfer (203 & 300 DPI)**

Item Number	Description	Part Number
1	Media Window	P1112640-200
2	Nameplate	P1112640-254
3	Cover Assembly for Gray Standard Models (includes Media Window)	P1112640-202
	Cover Assembly for White Healthcare Models (includes Media Window)	P1112640-203
4	Ribbon Out Sensor	P1112640-204
5	Latch Assembly	P1112640-205
6	Control Panel PCBA	P1112640-004
7	Ribbon Carriage	P1112640-206
8	Upper Media Sensor (Gap Sensor)	P1112640-207
9	Print Mechanism 203dpi	P1112640-208
	Print Mechanism 300dpi	P1112640-209
10	Cover Open Sensor	P1112640-210
11	Lower Media Sensor (Blackline Sensor)	P1112640-211
12	Rear Bezels and WiFi Bezel for Standard Models: Serial, Ethernet, No Options, WiFi (1 of each)	P1112640-212
	Rear Bezels and WiFi Bezel for Healthcare Models: Serial, Ethernet, No Options, WiFi (1 of each)	P1112640-213
13	Main Logic Board USB, USB Host, Bluetooth, Modular Connectivity Slot. All countries except EMEA	P1112640-014
	Main Logic Board USB, USB Host, Bluetooth, Modular Connectivity Slot, the board included in this kit allows firmware downgrades to occur.	P1112640-070
	Main Logic Board USB, USB Host, Bluetooth, Modular Connectivity Slot (EMEA ONLY)	P1112640-071
13A	Ethernet Module	P1112640-015
	Serial Module	P1112640-016
	WiFi 802.11ac Wireless Module for USA and Canada	P1112640-017A
	WiFi 802.11ac Wireless Module for Japan	P1112640-017B
	WiFi 802.11ac Wireless Module for all countries except USA, Canada and Japan	P1112640-017C
14	Rubber Feet (set of 4)	P1080383-021
15	Front Bezel, Standard Models	P1112640-214
	Front Bezel, Healthcare Models	P1112640-215
16	Platen Roller 203dpi	P1112640-216
	Platen Roller 300dpi	P1112640-217
	Bearings for the platen roller, Left & Right (10 each)	P1080383-224
17	Motor Assembly	P1080383-221
18	Covers for Hinge (includes side and rear hinge covers)	P1080383-225
19	203 dpi Printhead	P1112640-218
	300 dpi Printhead	P1112640-219

**ZD421 Thermal Transfer (203 & 300 DPI)**

Item Number	Description	Part Number
Not Shown	Upgrade Kit - Cutter, 4", Full Cut	P1112640-230
	Dispenser, Front Bezel	P1112640-231
	Media Core Adaptors, For 1.5", 2" & 3" diameter cores	P1112640-054
	Buttons for the Latch, 10 Left buttons and 10 Right buttons	P1080383-811
	Ribbon Core Adapters used to accept 1 inch diameter ribbon cores (1 set)	P1080383-231
	Base Housing for the Battery (When upgrading to battery power functionality, also order the P1080383-603 battery)	P1080383-600
	Battery for Desktop Printers (When upgrading to battery power functionality, also order the P1080383-600 battery housing)	P1080383-603
	Adapter bracket that enables mounting a ZD421T model in the same location as an existing GK420t model is currently mounted. Allows usage of the GK420t mounting hole pattern to mount a ZD421T.	P1080383-037
	Shipping Pack - Packaging for shipping the printer	P1112640-249
	Power Supply Unattached, 60W with US & Euro Cords for Gray Colored Standard Models	105934-053
	Power Supply Unattached, 75W, 24V with US Cord, for White Colored Healthcare Models	P1079903-030
	Power Supply Attached, 60W (power cord not included)	P1112640-248
	Power Cord, U.S. 120V IEC320C13 (set of 5)	105950-014
	Power Cord, Euro 220V IEC320C13 (set of 5)	105950-015
	Power Cord, U.K. 240V IEC320C13 (set of 5)	105950-030
	Power Cord, Australia 240V IEC320C13 (set of 5)	105950-029
	Power Cord, China 220V C13 (set of 5)	105950-078
	Power Cord, Japan 125V JAPAN C13 (set of 5)	105950-079
	Power Cord, 220V Argentina C13 (set of 5)	105950-080
	Power Cord, NBR 14136, Brazil (set of 5)	P1033401
Power Cord, Taiwan, 125V, IEC320C13 (set of 5)	P1079903-035	