

## AXIS C1720 Network Display Speaker

### Dual-sided 3-in-1 public address solution

This dual-sided device enables impactful paging, public address, and alerts with an attention-getting strobe, two powerful speakers, and two text displays. It also supports two-way audio, bells, and background music. Speaker, display, and strobe can be used alone or combined. Display background and text color are configurable, as are the strobe color and pattern. Built on an open platform, the display speaker integrates with third-party mass notification systems and other solutions. Installation support features ensure a safe, speedy installation, and a single cable provides power and connectivity. Both wall and pole mounting accessories available separately.

- > [Dual speakers and displays, strobe bar](#)
- > [Two-way audio](#)
- > [Remote health monitoring](#)
- > [Audio content prioritization and zoning](#)
- > [Freedom to integrate and to scale](#)



# AXIS C1720 Network Display Speaker

## Hardware

### Enclosure

Two 3 inch dynamic cone speakers in sealed enclosure

### Max sound pressure level

99/91 dBSPL (PoE6/PoE4)

### Frequency response

180 Hz - 15.5 kHz

### Coverage pattern

Horizontal speaker coverage: 240°

Vertical speaker coverage: 280°

### Input

Built-in microphone (can be disabled)

Input for external unbalanced microphone

Unbalanced line input

### Built-in microphone specification

28 Hz -20 kHz

### Amplifier description

Built-in 20 W Class D amplifier

### Digital signal processing

Built-in and pre-configured

### Connectors

3.5 mm audio input

RCA line-out

I/O: 4-pin 2.5 mm terminal block for 2x supervised configurable I/Os

USB 2.0 Type-A port (disabled, reserved for future use)

### Display and indicators

Display size: 8.8 inch

Display type: LCD, full color

Display resolution: 1920 x 480

Display view angle: Full view

Display visibility: A single-line text is visible up to 12 meters distance.

LED indicators: status-LED, two front-facing LEDs

Signaling LED: Dynamic LED strip with RGBW (red, green, blue, white) LEDs and predefined light patterns

Max 266 lm (PoE Class 6)/150 lm (PoE Class 4).

### PIR sensor

Passive infrared (PIR) motion sensor

Max range: 10 m (33 ft)

### Casing

Die-casted aluminum, plastic and steel

Color: White (NCS S 1002-B)

IP rating: 40

### Dimensions

Height: 156 mm (6.14)

Width: 160 mm (6.30)

Length: 462 mm (18.2)

### Weight

4700 g (10.4 lbs)

## Audio management

AXIS C1720 is to be used in combination with the appropriate Axis end-to-end audio management software solution or third-party integrations such as third-party mass notification systems.

### AXIS Audio Manager Edge

Full functionality for the speaker. Limited functionality for strobe and display.

### AXIS Audio Manager Pro

Full functionality for strobe, display and speaker.

### AXIS Audio Manager Center

Full functionality for the speaker. Limited functionality for strobe and display.

For more details about audio management software, see [axis.com/products/audio-management-software](https://axis.com/products/audio-management-software).

## Audio software

### Features

Full duplex echo cancellation

### Streaming

Two-way (full duplex)

## Encoding

AAC LC 8/16/32/48 kHz, G.711 PCM 8 kHz, G.726  
ADPCM 8 kHz, Axis  $\mu$ -law 16 kHz, WAV, MP3, Opus 8/  
16/48 kHz  
MP3 in mono/stereo from 64 kbps to 320 kbps.  
Constant and variable bit rate.  
Sampling rate from 8 kHz up to 48 kHz.

## Network

### Network protocols

IPv4/IPv6<sup>1</sup>, USGv6, ICMPv4/ICMPv6, HTTP, HTTPS<sup>2</sup>,  
HTTP/2, TLS<sup>2</sup>, QoS Layer 3 DiffServ, CIFS/SMB, SMTP,  
mDNS (Bonjour), UPnP®, SNMP v1/v2c/v3 (MIB-II), DNS/  
DNSv6, DDNS, NTP, PTP, NTS, RTSP, RTP, SRTP/RTSPS,  
TCP, UDP, IGMPv1/v2/v3, RTCP, DHCPv4/v6, ARP, SSH,  
LLDP, CDP, MQTT v3.1.1, Secure syslog (RFC 3164/5424,  
UDP/TCP/TLS), Link-Local address (ZeroConf)

## System integration

### Application Programming Interface

AXIS Camera Application Platform (ACAP)  
Open API for software integration, including VAPIX®;  
specifications at [axis.com/developer-community](https://axis.com/developer-community).  
One-click cloud connection  
Support for Session Initiation Protocol (SIP) for  
integration with Voice over IP (VoIP) systems, peer to  
peer or integrated with SIP/PBX.

### Video management systems

Compatible with AXIS Camera Station Edge,  
AXIS Camera Station Pro, AXIS Camera Station 5, and  
video management software from Axis' partners  
available at [axis.com/vms](https://axis.com/vms).

### Mass notification

Singlewire InformaCast®, Intrado Revolution, Lynx  
Systems, Alertus

### Unified communication

Verified compatibility:  
**SIP clients:** 2N, Yealink, Cisco, Linnphone, Grandstream  
**PBX/SIP servers:** Cisco Call Manager, Cisco BroadWorks,  
Avaya, Asterix, Grandstream  
**Cloud service providers:** Webex, Zoom

## SIP

**Supported SIP features:** Secondary SIP server, IPv6,  
SRTP, SIPS, SIP TLS, DTMF (RFC2976 and RFC2833), NAT  
(ICE, STUN, TURN)  
**RFC 3261:** INVITE, CANCEL, BYE, REGISTER, OPTIONS,  
INFO  
**DTMF (RFC 4733/RFC 2833)**

### Event conditions

Audio: audio detection, audio clip playing, physical  
microphone switch, speaker test result  
Device status: IP address blocked/removed, live stream  
active, network lost, new IP address, PIR sensor, ring  
power overcurrent protection, system ready  
Digital audio: digital signal contains Axis metadata,  
digital signal has invalid sample rate, digital signal  
missing, digital signal okay  
Edge storage: recording ongoing, storage disruption,  
storage health issues detected  
I/O: digital input is active, manual trigger, virtual input  
is active  
MQTT: MQTT client connected  
Scheduled and recurring: schedule

### Event actions

Audio: run automatic speaker test  
Audio clips: play, play while the rule is active, stop  
Display: speaker display notification  
I/O: toggle I/O once, toggle I/O while the rule is active  
LEDs: flash status LED, flash status LED while the rule is  
active  
Light and siren: run light profile, run light profile while  
the rule is active, stop activities  
MQTT: send MQTT publish message  
Notification: HTTP, HTTPS, TCP and email  
Recordings: record audio, record audio while the rule is  
active  
Security: erase configuration  
SNMP trap messages: send, send while the rule is active

### Built-in installation aids

Test tone verification and identification

### Functional monitoring

Auto Speaker Test (verification via built-in microphone)

1. Audio synchronization with IPv4 only.  
2. This product includes software developed by the OpenSSL Project for use in the OpenSSL Toolkit. (openssl.org), and cryptographic software written by Eric Young (eay@cryptsoft.com).

## Analytics

### Applications

#### Included

AXIS Audio Analytics

#### Supported

Support for AXIS Camera Application Platform enabling installation of third-party applications, see [axis.com/acap](http://axis.com/acap)

### AXIS Audio Analytics

**Features:** adaptive audio detection, audio classification

**Audio classes:** scream, shout, glass break, speech

**Event metadata:** audio detections, classifications

## Approvals

### EMC

CISPR 32 Class A, EN 55035, EN 55032 Class A, EN 61000-6-1, EN 61000-6-2, EN 61000-3-2, EN 61000-3-3

**Australia/New Zealand:** RCM AS/NZS CISPR 32 Class A

**Canada:** ICES(A)/NMB-3(A)

**Japan:** VCCI Class A

**Korea:** KS C 9832 Class A, KS C 9835

**USA:** FCC Part 15 Subpart B Class A

### Safety

CAN/CSA C22.2 No. 62368-1, IEC/EN/UL 62368-1

### Environment

IEC 60068-2-1, IEC 60068-2-2, IEC 60068-2-6, IEC 60068-2-14, IEC 60068-2-27, IEC/EN 60529 IP40

### Cybersecurity

FIPS 140

## Cybersecurity

### Edge security

**Software:** Signed OS, brute force delay protection, digest authentication and OAuth 2.0 RFC6749 Client Credential Flow/OpenID Authorization Code Flow for centralized ADFS account management, password protection

**Hardware:** Axis Edge Vault cybersecurity platform  
Secure keystore: secure element (CC EAL 6+, FIPS 140-3 Level 3), system-on-chip security (TEE)  
Axis device ID, secure boot, encrypted filesystem (AES-XTS-Plain64 256bit)

### Network security

IEEE 802.1X (EAP-TLS, PEAP-MSCHAPv2)<sup>3</sup>, IEEE 802.1AE (MACsec PSK/EAP-TLS), IEEE 802.1AR, HTTPS/HSTS<sup>3</sup>, TLS v1.2/v1.3<sup>3</sup>, Network Time Security (NTS), X.509 Certificate PKI, host-based firewall

### Documentation

*AXIS OS Hardening Guide*

*Axis Vulnerability Management Policy*

*Axis Security Development Model*

AXIS OS Software Bill of Material (SBOM)

To download documents, go to [axis.com/support/cybersecurity/resources](http://axis.com/support/cybersecurity/resources)

To read more about Axis cybersecurity support, go to [axis.com/cybersecurity](http://axis.com/cybersecurity)

## System on chip (SoC)

### Model

NXP i.MX 8M Mini

### Memory

1024 MB RAM, 1024 MB Flash

## General

### Power

Power over Ethernet (PoE) 802.3at Class 4 / 802.3bt Class 6

### Storage

Support for microSD/microSDHC/microSDXC card  
Support for SD card encryption (AES-XTS-Plain64 256bit)

Recording to network-attached storage (NAS)

For SD card and NAS recommendations see [axis.com](http://axis.com)

### Operating conditions

Temperature: 0 °C to 40 °C (32 °F to 104 °F)

Humidity: 10–85% RH (non-condensing)

### Storage conditions

Temperature: -40 °C to 65 °C (-40 °F to 149 °F)

Humidity: 5–95% RH (non-condensing)

### Box content

Network display speaker, 4-pin connector, installation guide, owner authentication key

3. This product includes software developed by the OpenSSL Project for use in the OpenSSL Toolkit. ([openssl.org](http://openssl.org)), and cryptographic software written by Eric Young ([eay@cryptsoft.com](mailto:eay@cryptsoft.com)).

## Optional accessories

AXIS Surveillance Cards

AXIS TC1604 Wall Mount

AXIS TC1606 Ceiling Mount

AXIS C8310 Volume Controller

For more accessories, go to [axis.com/products/axis-c1720#accessories](https://axis.com/products/axis-c1720#accessories)

---

## Languages

Web interface: English, German, French, Spanish, Italian, Russian, Simplified Chinese, Japanese, Korean, Portuguese, Polish, Traditional Chinese, Dutch, Czech, Swedish, Finnish, Turkish, Thai, Vietnamese

---

## Warranty

5-year warranty, see [axis.com/warranty](https://axis.com/warranty)

---

## Part numbers

Available at [axis.com/products/axis-c1720#part-numbers](https://axis.com/products/axis-c1720#part-numbers)

## Tools

### Design

AXIS Site Designer

Available at [axis.com](https://axis.com)

---

### Installation

AXIS Device Manager, product selector, accessory selector

Available at [axis.com](https://axis.com)

## Sustainability

### Substance control

PVC free, BFR/CFR free in accordance with JEDEC/ECA Standard JS709

RoHS in accordance with EU RoHS Directive 2011/65/EU and 2015/863, and standard EN IEC 63000:2018

REACH in accordance with (EC) No 1907/2006. For SCIP UUID, see [echa.europa.eu](https://echa.europa.eu)

---

### Materials

Renewable carbon-based plastic content: 70% (bio-based)

Screened for conflict minerals in accordance with OECD guidelines

To read more about sustainability at Axis, go to [axis.com/about-axis/sustainability](https://axis.com/about-axis/sustainability)

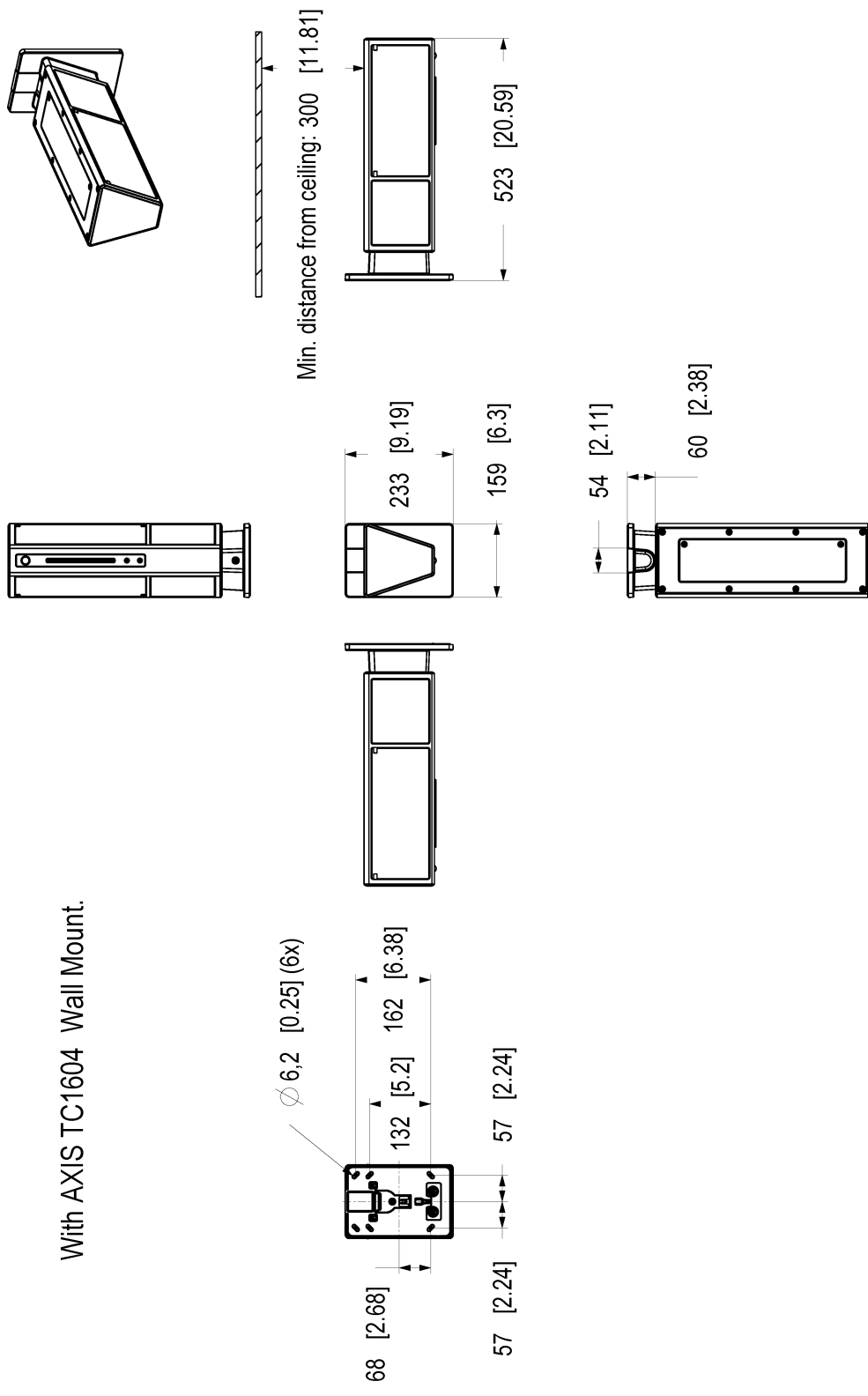
---

### Environmental responsibility

[axis.com/environmental-responsibility](https://axis.com/environmental-responsibility)

Axis Communications is a signatory of the UN Global Compact, read more at [unglobalcompact.org](https://unglobalcompact.org)

With AXIS TC1604 Wall Mount.



Dimensions in mm [inch]

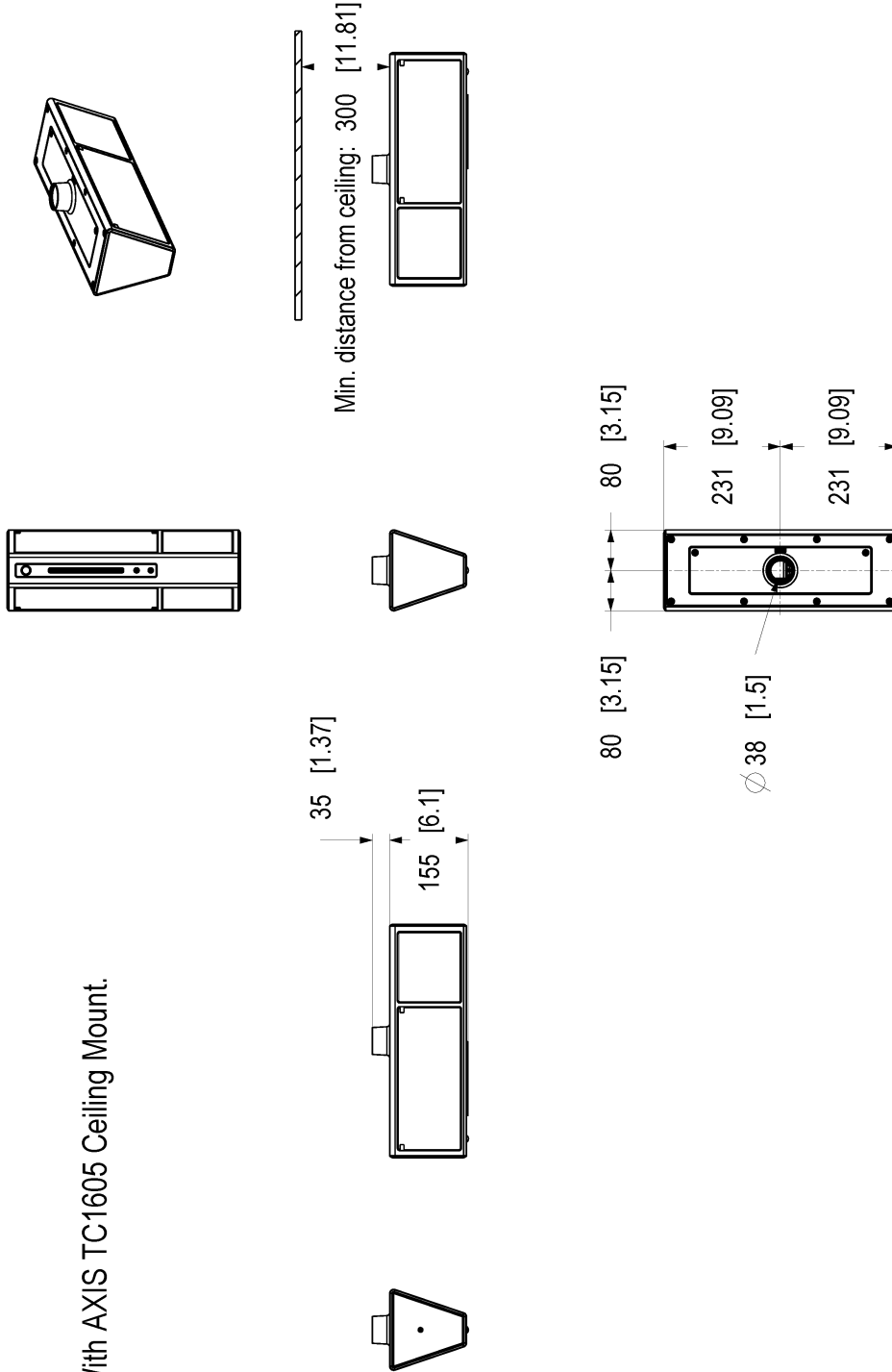
Date	Version	Scale
2025 Jan-22	M1.5	A8
3229430		Sheet
		Size
		A3
		1(2)



© 2025 Axis Communications AB. All rights reserved.

## AXIS C1720 Network Display Speaker

With AXIS TC1605 Ceiling Mount.



Dimensions in mm [inch]	
Date	Version
2025 Jan-22	M1.5
Drawing Number	Sheet
3229430	A3 2/2

### AXIS C1720 Network Display Speaker



© 2025 Axis Communications AB. All rights reserved.