

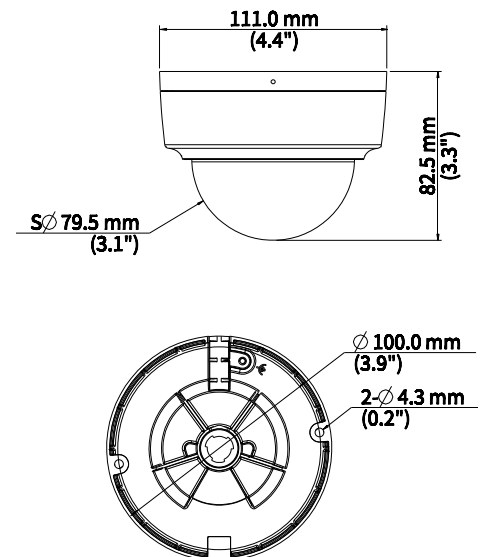
Overview

- 4 Megapixel IR
- True WDR 120dB
- 2.8mm Fixed lens
- H.265, H.264, MJPEG
- Support 9:16 Corridor Mode
- IP67, IK10
- Built-in Mic
- NDAA Compliant
- ONVIF Profile G, S, T



Technical Specifications

Device	
Image Sensor:	1/2.7", 5.0 Megapixel, Progressive Scan, CMOS
Min Illumination:	Color: 0.003Lux (F1.6, AGC ON) 0Lux with IR on
Shutter Time:	Auto/Manual, 1 ~ 1/1000000s
Lens:	2.8mm@F1.6
WDR:	120dB
S/N	>52dB
Angle of View:	H: 110.0° V: 58.7° O: 130°
Angle Adjustment:	Pan: 8° ~ 360° Tilt: 0° ~ 68° Rotate: 10° ~ 360°
3-Axis Adjustment:	Yes
Day & Night:	IR-Cut Filter with Auto Switch (ICR)
IR Range:	Up to 30m (98.4ft) IR range
Compression Standard	
Video Compression:	H.265, H.264, MJPEG
Video Bit Rate:	128 Kbps ~ 6144 Kbps
Dual-Stream:	Yes
Analytics:	Cross line (based on human body detection), Intrusion (based on human body detection), Motion detection, Ultra motion detection, Tampering alarm, Audio detection
Image	
Max. Image Resolution:	2688 x 1520
Frame Rate:	25fps (2688 x 1520)
ROI Codec:	Up to 8 Areas
Image Setting:	White Balance, Digital Noise Reduction, Smart IR, Flip, HLC, BLC, Digital Defog



Technical Specifications

Network					
Protocols:	IPv4, IGMP, ICMP, ARP, TCP, UDP, DHCP, RTP, RTSP, RTCP, RTMP, DNS, DDNS, NTP, FTP, UPnP, HTTP, HTTPS, SMTP, SSL/TLS, 802.1x, SNMP				
Interface					
Communication Interface:	1 x RJ45 10M/100M Base-TX Ethernet				
Edge Storage:	Micro SD, up to 512GB				
Audio Compression:	G.711U, G.711A				
DORI					
DORI Distance	Lens (mm)	Detect (m)	Observe (m)	Recognize (m)	Identify (m)
	2.8	63.0 (206.7 ft.)	25.2 (82.7 ft.)	12.6 (41.3 ft.)	6.3 (20.7 ft.)
General					
Safety	CE LVD (EN 62368-1) UL/CUL (UL 62368-1, CAN/CSA C22.2 No. 62368-1)				
EMC	FCC: FCC 47 CFR part15 B CE-EMC: EN 55032/ EN 55035/ EN IEC 61000-3-2/ EN 61000-3-3				
Operating Conditions:	Temperature: -30°C ~ 60°C (-22°F ~ 140°F), Humidity: ≤95% RH (Non-Condensing)				
Power Consumption:	Max 4.4W				
Power Supply:	DC 12V±25%, PoE (IEEE 802.3af)				
Weather Proof Rating:	IP67				
Vandal Resistant:	IK10				
Dimensions:	Φ111 x 83mm (Ø4.4" x 3.3")				
Weight:	0.35kg (0.77lb)				
Software:	No license required for use with Video Insight Software				

Optional Accessories

JUNCTION BOX		M-JB-MINI	+		M-NPT34
WALL		M-WM-JB-MINI-V2	OR		M-WM-MINI
POLE	 	M-WM-JB-MINI-V2 OR M-WM-MINI	+		M-PM-B-V2
PENDANT		M-JB-MINI	+		M-Pendant

© i-PRO Co., Ltd. All Rights Reserved. i-PRO, Viewnetcam.com, advidia, VideoInsight, ClouDE, and Unified Digital Evidence are registered trademarks or trademarks of i-PRO Co., Ltd. or i-PRO Americas Inc. in various jurisdictions. All other trademarks are the property of their respective owners.