

# Sarix Enhanced 4CD

The Sarix Enhanced 4CD is built to minimize security risks with a gap-free design that prevents contraband concealment and limits self-harm opportunities.



Compliant with NDAA 2019  
Section 889

4 MP

8 MP



## Features

### DURABLE AND ROBUST DESIGN

The Sarix Enhanced 4 Series Dome you know and love has been redesigned for long-term use in high-risk settings like corrections and healthcare facilities.

### KNOW MORE, REACT FASTER

Accurately identify objects with Smart Analytics, and understand the on-site situation with integrated audio.

### TAKE YOUR CAMERA TO THE CLOUD

Leverage direct camera-to-cloud technology to improve camera performance, detection accuracy and automate camera management tasks.

### EXPAND WITH EASE

Easily add this camera to your existing setup with ONVIF S, G, T and M capabilities.

### COMPLEMENT YOUR CORNER-MOUNTED CAMERAS

Provide your facilities with an additional camera that helps ensure safety without creating any risk.

# Specifications

Image Performance		4.0 MP	8.0 MP (4K Ultra HD)
Image Sensor		1/1.8" progressive scan CMOS	
Max Resolution (H x V) and Aspect Ratio	Primary	(16:9) 2688 x 1520, 2560 x 1440, 1920 x 1080 (4:3) 1984 x 1488	(16:9) 3840 x 2160, 3328 x 1872, 3200 x 1800, 3072 x 1728 (4:3) 2880 x 2160, 2560 x 1920
	Secondary	(16:9) 2688 x 1520*, 1920 x 1080, 1280 x 720, 768 x 432, 640 x 360, 512 x 288 (4:3) 1984 x 1488*, 1920 x 1440, 1600 x 1200, 1280 x 960, 768 x 576, 640 x 480, 512 x 384, 384 x 288;	(16:9) 3840 x 2160*, 2560 x 1440, 1920 x 1080, 1280 x 720, 768 x 432, 640 x 360, 512 x 288 (4:3) 2880 x 2160*, 2560 x 1920, 2304 x 1728, 1920 x 1440, 1600 x 1200, 1280 x 960, 768 x 576, 640 x 480, 512 x 384
	Tertiary	(16:9) 1280 x 720, 768 x 432, 640 x 360, 512 x 288, 384 x 216 (4:3) 1280 x 960, 800 x 600, 640 x 480, 512 x 384, 368 x 264	(16:9) 1920 x 1080 1280 x 720, 768 x 432, 640 x 360, 512 x 288, 384 x 216 (4:3) 1920 x 1440, 1600 x 1200, 1280 x 960, 800 x 600, 640 x 480, 512 x 384, 384 x 288, 368 x 264
Dynamic Range	WDR Off	Up to 83 dB	
	WDR On (IEC 62676)	Up to 106dB (dual exposure, 30 fps) Up to 136dB (triple exposure, 20 fps or less)	Up to 130dB (dual exposure, 30 fps)
	WDR On	Up to 120dB (dual exposure, 30 fps) Up to 144dB (triple exposure, 20 fps or less)	Up to 144 dB (dual exposure, 20 fps or less)
Max Image Rate		(50 Hz/60 Hz): 50 fps/60 fps in High Frame Rate Mode <sup>1</sup> , otherwise 25 fps/30 fps	(50 Hz/60 Hz): 25 fps/30 fps
Bandwidth Management		HDSM SmartCodec technology; Idle scene mode	
Signal-to-Noise Ratio(SNR)		> 50 dB	

\*Only available at half frame rate of the primary stream.

<sup>1</sup> Max Frame Rate of 60 fps is only achievable with High Frame Rate mode enabled. High Frame Rate mode will disable analytics.

## Lens and IR Illumination

### 4.4 - 9.3 mm

### 10.9 - 29 mm

IR Illumination Max Distance <sup>2</sup> (high power 850 nm LEDs)		50 m (164 ft) full tele 25 m (82 ft) full wide	70 m (230 ft) full tele 40 m (131 ft) full wide
Minimum Illumination	4 MP	With IR: 0 lux in monochrome mode Without IR: 0.003 lux in monochrome mode; 0.008 lux in color mode	With IR: 0 lux in monochrome mode Without IR: 0.004 lux in monochrome mode; 0.01 lux in color mode
	8 MP	With IR: 0 lux in monochrome mode Without IR: 0.006 lux in monochrome mode; 0.02 lux in color mode	With IR: 0 lux in monochrome mode Without IR: 0.008 lux in monochrome mode; 0.03 lux in color mode
Horizontal Angle of View Based on Aspect Ratio	4 MP	(16:9) 47° – 111° (4:3) 35° – 78°	(16:9) 15° – 42° (4:3) 11° – 31°
	8MP	(16:9) 47° – 109° (4:3) 35° – 78°	(16:9) 15° – 42° (4:3) 11° – 31°
Vertical Angle of View Based on Aspect Ratio	4 MP & 8 MP	(16:9) 26° – 57° (4:3) 26° – 57°	(16:9) 9° – 23° (4:3) 9° – 23°
Max Aperture		F1.3	F1.7
Control		Remote Zoom and Focus, Autofocus, IR Cut Filter	

<sup>2</sup> IR illumination power may be reduced at higher operating temperatures.

## Image Control

Image Compression Method	H.264 HDSM SmartCodec, H.265 HDSM SmartCodec, Motion JPEG
Streaming	Multi-stream H.264, Multi-stream H.265, Motion JPEG
Motion Detection	Pixel motion: Selectable sensitivity and threshold. Classified object detection
Camera Tamper Detection	Yes
Electronic Shutter Control	Automatic, Manual (1/7.5 to 1/15000 sec)
Iris Control	Automatic, Open, Closed, P-iris
Day/Night Control	Automatic, Manual, External
Flicker Control	60 Hz, 50 Hz
White Balance	Automatic, Manual
Backlight Compensation	Adjustable
Image Rotation	0°, 90°, 180°, 270° including Corridor Mode
Privacy Zones	Up to 64 zones
Electronic Image Stabilization	Yes

## Network

Network	100BASE-TX
Cabling	CAT5e
Connector	RJ-45
ONVIF	ONVIF® compliance Profile S, Profile T, Profile M and Profile G ( <a href="http://www.onvif.org">www.onvif.org</a> )
Security	Password protection, HTTPS encryption, digest authentication, WS authentication, user access log, 802.1x port based authentication, FIPS 140-3 L3 (with onboard TPM), Secure Boot, Signed and encrypted firmware
Protocols	IPv6, IPv4, HTTP, HTTPS, SOAP, DNS, NTP, RTSP, RTCP, RTP, TCP, UDP, IGMPv3, ICMP, DHCP, Zeroconf, HSTS, QoS, DSCP
Streaming Protocols	RTP/UDP, RTP/UDP multicast, RTP/RTSP/TCP, RTP/RTSP/HTTP/TCP, RTP/RTSP/HTTPS/TCP, HTTP, SRTP
Device Management Protocols	SNMP v2c, SNMP v3

## Peripherals

USB Port	USB 2.0
Onboard Storage <sup>3</sup>	Two microSD/microSDHC/microSDXC slots – video speed class card required. Class V10 or better recommended.

<sup>3</sup> Tested maximum capacity is 1.5TB.

## Auxiliary I/O

Audio Compression Method	G.711 PCM 8 kHz, Opus
Audio Input/Output	Line level input and output. External power 12-24VDC +/-10% @50mA.
External I/O Terminals	1 x Relay In, 1 x Relay Out, 1 x 12 VDC out at 50 mA
Microphone	Built-in microphone for audio analytics, with physical disable switch

## Mechanical

Dimensions (DxH)	196mm X 132 mm, 7.71" X 5.19"
Weight	3 kg; 6.6 lbs
Dome Bubble	Polycarbonate
Body	Polycarbonate and aluminum
Housing	Surface mount
Finish	Powdercoat grey (Pantone 427C)
Adjustment Range	Pan 360°, Azimuth 349°, Tilt 92°

## Electrical

Power Consumption	25W (18W with IR disabled)	
Power Source	PoE	IEEE 802.3af Class 3
	PoE+	IEEE 802.3at Class 4

## Electrical

IR Illumination Behavior	PoE	IR illuminator will turn off if the temperature is 65°C (149°F) or higher. The illuminator will operate at 50% power and 25% power if below -25°C (-13°F)
	PoE+	IR illuminator will turn off if the temperature is 65°C (149°F) or higher. The illuminator will operate at 50% power if the temperature is between 55°C (131°F) and 65°C (149°F) and 50% power if below -25°C (-13°F)
External Power	12-24 VDC +/-10%	
RTC Backup Battery	3V manganese lithium	
Memory	4GB RAM, 4GB Flash	

## Environmental

Operating Temperature	PoE	-30°C to +65°C (-22°F to 149°F) with IEEE 802.3af Class 3 (13W PoE)
	With External Power or PoE+	-50°C to +65°C (-58°F to 149°F) with external power or IEEE 802.3at Class 4 (25.5W PoE+)
Startup Temperature	PoE	-30°C to +65°C (-22°F to 149°F) with IEEE 802.3af Class 3 (13W PoE)
	With External Power or PoE+	-40°C to +65°C (-40°F to 149°F) with external power or IEEE 802.3at Class 4 (25.5W PoE+)
Absolute Maximum Temperature	74 °C (165 °F) per NEMA TS2 (Temp.) para 2.2.7.2 - 2.2.7.7	
Storage Temperature	-10°C to +70°C (14°F to 158°F)	
Humidity	0 - 95% non-condensing	

## Certifications

Certifications/Approvals	UL, cUL, CE, ROHS, RCM, UKCA, NOM, KC, BIS, NDAA 2019 Section 889
Safety Standards	UL 62368-1, CSA 62368-1, IEC/EN 62368-1, IEC 62471
Environmental Standards/Ratings	IEC 60529 IP66, IP67, IP68 (2m depth for 2 hours), IPX9K, NEMA 4X, IEC 60068-2 Shock & Vibration, NEMA TS2 Sec 2.2.7-2.2.9, IK11
Electromagnetic Emissions Standards	FCC Part 15 Subpart B Class B, ICES-003 Class B, EN 55032 Class B, EN 61000-6-3, EN 61000-3-2, EN 61000-3-3, EN 50121-4, EN 50130-4
Electromagnetic Immunity Standards	EN 55035, EN 61000-6-1, EN 50121-4, EN 50130-4
Warranty	Limited 5 Year Warranty <sup>4</sup>

<sup>4</sup> For more information on the warranty, see [Product Warranty Terms](#).

# Analytics Specifications

## Supported Analytics Events

Objects in Area	The event is triggered when the selected object type moves into the region of interest. This event can be used to count objects.
Object Loitering	The event is triggered when the selected object type moves into the region of interest and then stays for an extended amount of time.
Objects Crossing Beam	The event is triggered when the specified number of objects have crossed the directional beam that is configured over the camera's field of view. The beam can be unidirectional or bidirectional.
Object Appears or Enters Area	The event is triggered by each object that enters the region of interest.
Object Not Present in Area	The event is triggered when no objects are present in the region of interest.
Objects Enter Area	The event is triggered when the specified number of objects have entered the region of interest.
Objects Leave Area	The event is triggered when the specified number of objects have left the region of interest.
Object Stops in Area	The event is triggered when an object moves into a region of interest and then stops moving for the specified threshold time.
Direction Violated	The event is triggered when an object moves in the prohibited direction of travel.
Smart Motion Rule	Events are sent for person (including crawling) and vehicle present, against default unchangeable parameters
Tamper Detection	The event is triggered when the scene unexpectedly changes.
Crowd Size	This event is triggered when the number of people is exceeded over a configurable duration.
Unusual Crowd Growth	This event is triggered when a crowd size grows unexpectedly.
Unusual Crowd Size	This event is triggered when an unusual crowd size is detected.

Analytics capabilities, including detection range, may vary by camera line. Please consult the Avigilon Self-Learning Video Analytics Design Guide for details

## Supported Classified Object Types

Object Types in Outdoor Mode	Vehicle, sub-types: Car, Pickup Truck, Large Truck, Van, Bicycle, Motorcycle, Bus Person
Object Types in Indoor Mode	Person

### Supported Audio Analytics Events

Scream	Up to 15 meters
Glass Break	Up to 15 meters
Car Alarm	Up to 30 meters
Smoke Alarm	Up to 15 meters
Dog Bark	Up to 15 meters
Tire Screech <sup>1</sup>	Up to 15 meters
Loud Noise	Up to 40 meters
Ultrasonic Panic Alarm <sup>2</sup>	Up to 40 meters

<sup>1</sup>The detection range is limited to up to 8 meters in loud environments.

<sup>2</sup>The detection range is influenced by the quality and power of the device used to create the panic alarm.

### Pelco Elevate Supported Features

Image Health	Detects incremental changes in the cameras view, such as position shifts or obstructions. Notifies users through ONVIF conformant events and summarized email reports.
Firmware Management	Schedule and deploy automatic firmware updates to multiple cameras, or update individual cameras on-demand.
Visible Firearm Detection <sup>3</sup>	Triggers an ONVIF event if a suspected firearm is detected in the scene.

<sup>3</sup> Optional add-on license required.

### VideoXpert Supported Features

3.22	Support for video analytic events without vehicle sub-classes.
3.23 or higher	Support for crowd detection, audio analytics and video analytic events with vehicle sub-classes.

### Pelco Connect Supported Features

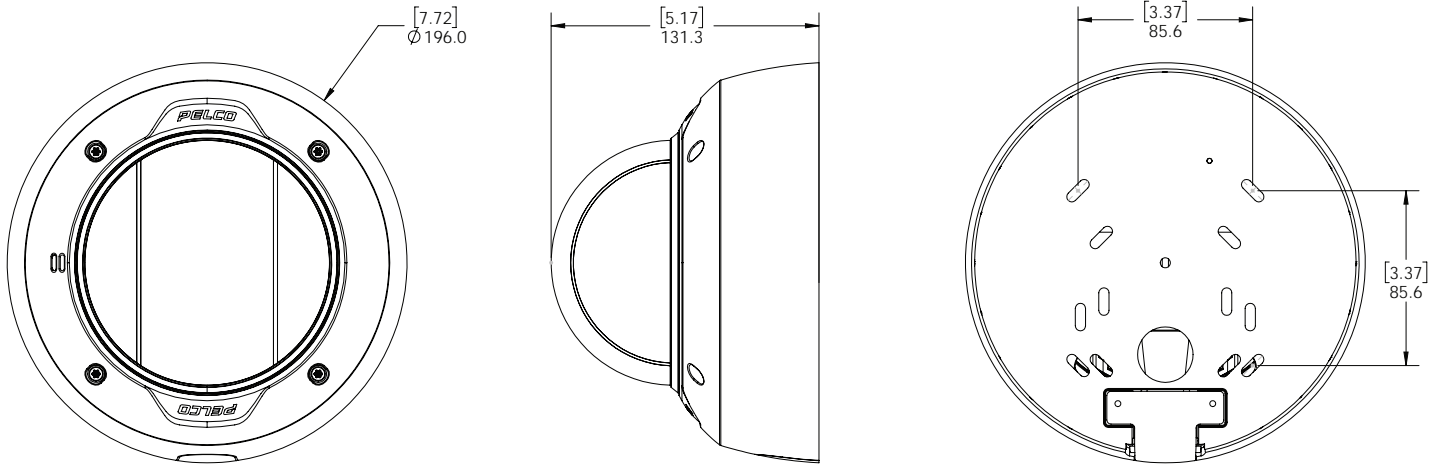
Genetec	Support for Pelco Forensic Search and Analytics Configuration with the Genetec plugin.
Milestone	Support for Pelco Forensic Search and Analytics Configuration with the Milestone plugin.

# Outline Dimensions

## Dome Camera with Surface Mount

(Sarix Enhanced 4CD) Dome camera + provided surface mount)

[X.XX]	INCHES
X.X	MM



# Ordering Information

## Mounting Scenario

Surface Mount



## Ordering information

Order one of:

- Indoor or outdoor surface mount camera

Optional:

- DMSLD-1001 (weathershield)

## Cameras

Model	MP	WDR	SureVision Technology	Lens	IR	Analytics	Smart Compression	Microphone
SRXE4-4V9-EMD-IR1-CD	4.0	✓	✓	4.4 - 9.3 mm	✓	✓	✓	✓
SRXE4-4V29-EMD-IR1-CD	4.0	✓	✓	10.9 - 29 mm	✓	✓	✓	✓
SRXE4-8V9-EMD-IR1-CD	8.0	✓	✓	4.4 - 9.3 mm	✓	✓	✓	✓
SRXE4-8V29-EMD-IR1-CD	8.0	✓	✓	10.9 - 29 mm	✓	✓	✓	✓

## Accessories

Model	Description
DMSLD-1001	Weathershield for dome cameras
DMBBL-1011	Replacement IR dome bubble
CBLKIT-1011	USB adapter cable, for use with USB-AC56 Wifi install kit
USB-AC56-NA-MSI	USB Wifi adapter install kit (North America)
USB-AC56-EU-MSI	USB Wifi adapter install kit (Europe)
GROM-1001	Camera sealing grommet, pack of 10
GROM-1011	Pipe sealing grommet, pack of 10

# Support

Learn more and find additional documentation at [pelco.com](https://pelco.com) or email [support@pelco.com](mailto:support@pelco.com) for specific product support.