

DS-1227ZJ-DM44

In-Ceiling Mount



Key Feature

- Steel and plastic materials with surface spray treatment
- Adopts magnetism design to install the camera
- Saves spaces

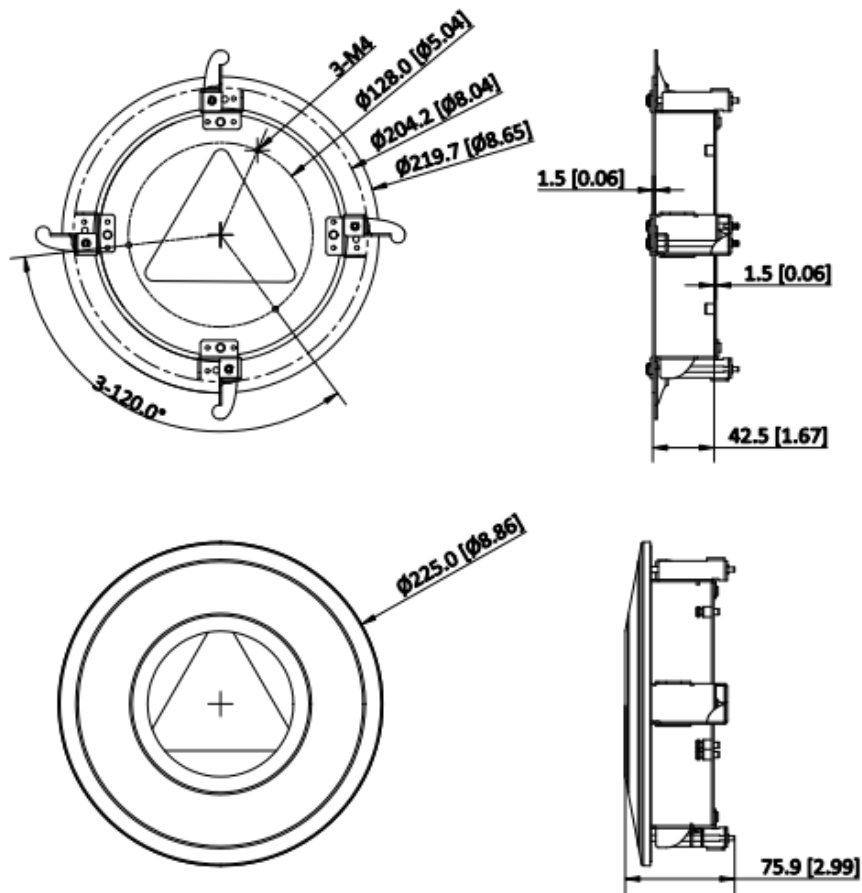
Specification

Model	DS-1227ZJ-DM44
Weight	Approx. 608.5 g (1.34 lb.)
Appearance	Hikvision White
Material	SECC, PC&ABS
Dimension	Ø225 mm × 75.9 mm (Ø8.86" × 2.99") *The minimum ceiling cutout diameter is Ø204.2 (Ø8.04").
Description	In-Ceiling Mount

Available Model

DS-1227ZJ-DM44

Dimension



The minimum ceiling cutout diameter is $\phi 204.2$ [$\phi 8.04$]

Unit: mm [inch]

SCALE	1:1
-------	-----